

HORN ANTENNA

MANT-2000.18000.H1

Features

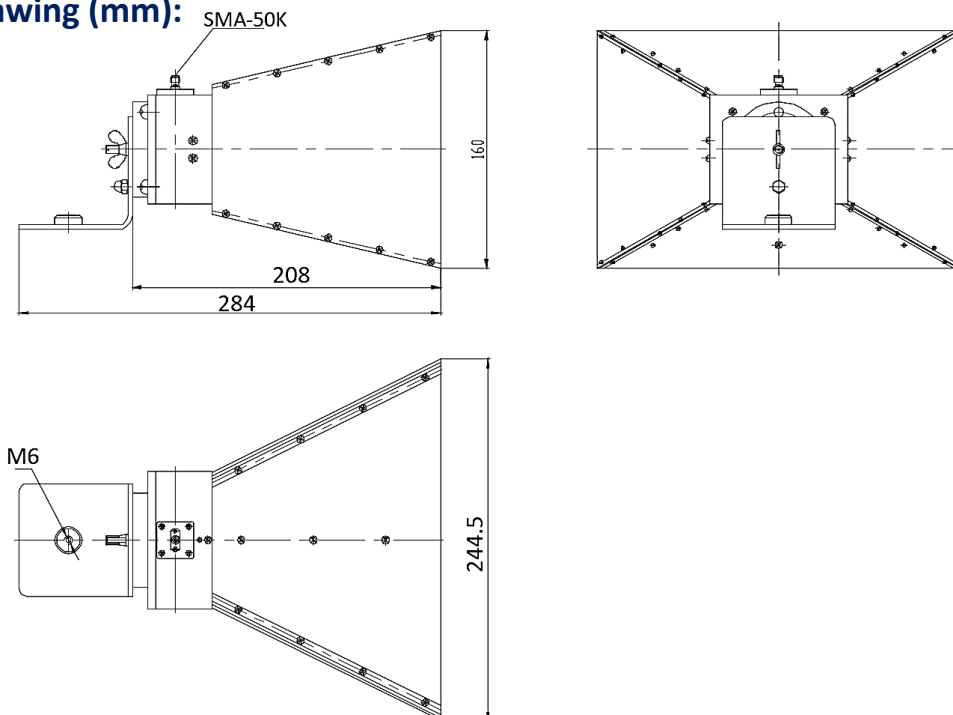
- ✓ Broad Band Frequency Coverage From 2GHz-18GHz
- ✓ High Performance
- ✓ Low VSWR

Specifications

PART NUMBER	MANT-2000.18000.H1	
DESCRIPTION	Horn Antenna 2000~18000MHz, SMA Female	
	ELECTRICAL	MATERIALS
	FREQUENCY: 2000~18000MHz VSWR: 2.5:1 MAX. GAIN(TYP.): 10.7dB CONNECTOR: SMA Female POWER HANDLING: 100W(CW)	MATERIAL: ALUMINUM (ALUMINUM SCRATCHES MORE EASILY THAN MORE DURABLE MATERIALS.)

Tolerance: $\pm 0.5\text{mm}$

Outline Drawing (mm):



NOTES:

1. ALL SPECIFICATIONS ARE SUBJECT TO CHANGE WITHOUT NOTICE AT ANY TIME
2. CUSTOMER OUTLINE DRAWING FOR REFERENCE ONLY