

Horn Antenna

MANT-1000.18000.H1

Features

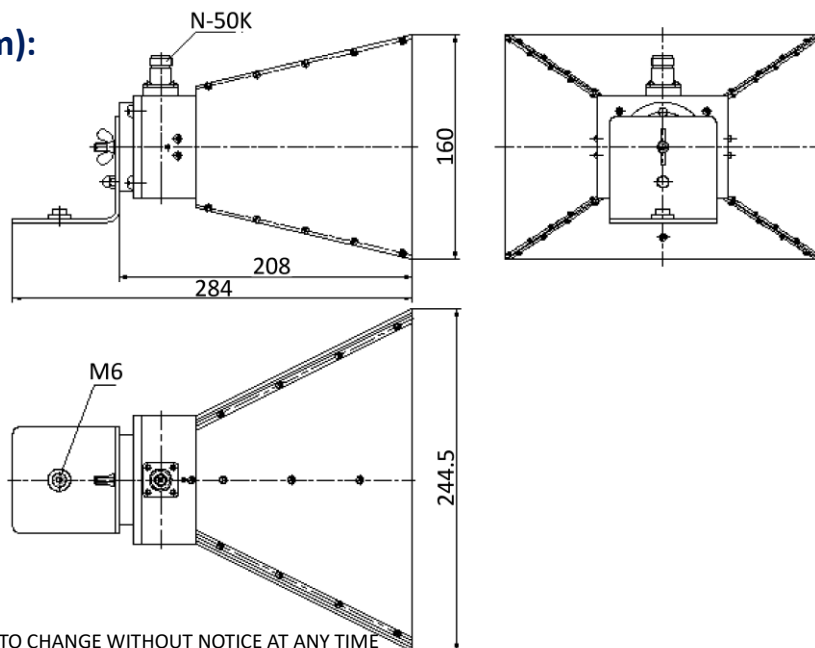
- ✓ Frequency Range :1-18GHz
- ✓ N Type Connector
- ✓ High Performance

Specifications

PART NUMBER	MANT-1000.18000.H1
DESCRIPTION	Horn Antenna 1000-18000MHz, N Female
ELECTRICAL	MATERIALS
FREQUENCY :1000 - 18000MHz VSWR: 2.50:1 MAX. GAIN: 10dB AVG. CONNECTOR: N-FEMALE HANDLING POWER: 200W (CW), 500W (Peak) BEAM WIDTH:E PLANE: 54°, H PLANE: 49° TYP. TEMPERATURE RANGE: -30°C to +70°C	MATERIAL: ALUMINUM OUTSIDE FINISH: GREY PAINT

Tolerance:±0.3mm

Outline Drawing (mm):



NOTES:

1. ALL SPECIFICATIONS ARE SUBJECT TO CHANGE WITHOUT NOTICE AT ANY TIME
2. CUSTOMER OUTLINE DRAWING FOR REFERENCE ONLY